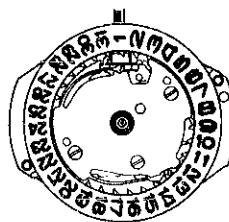
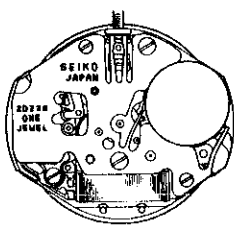


PARTS CATALOGUE

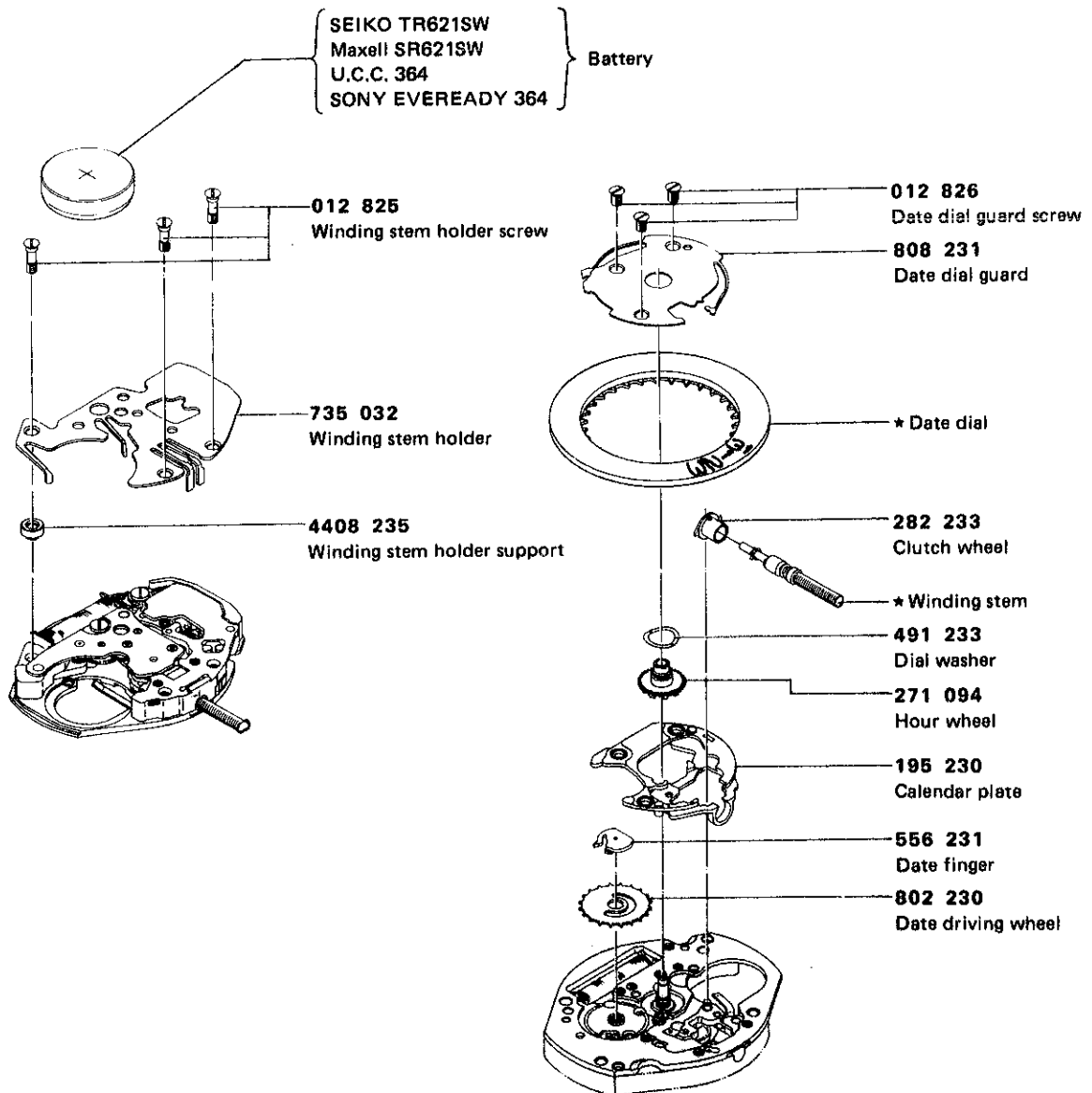
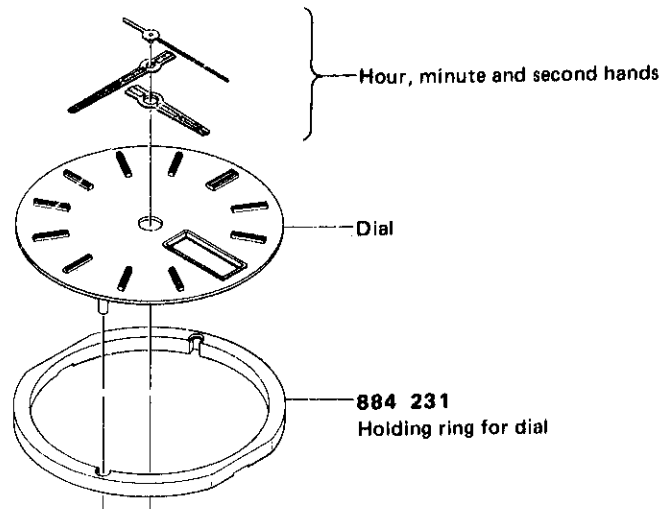
Cal.2D22A

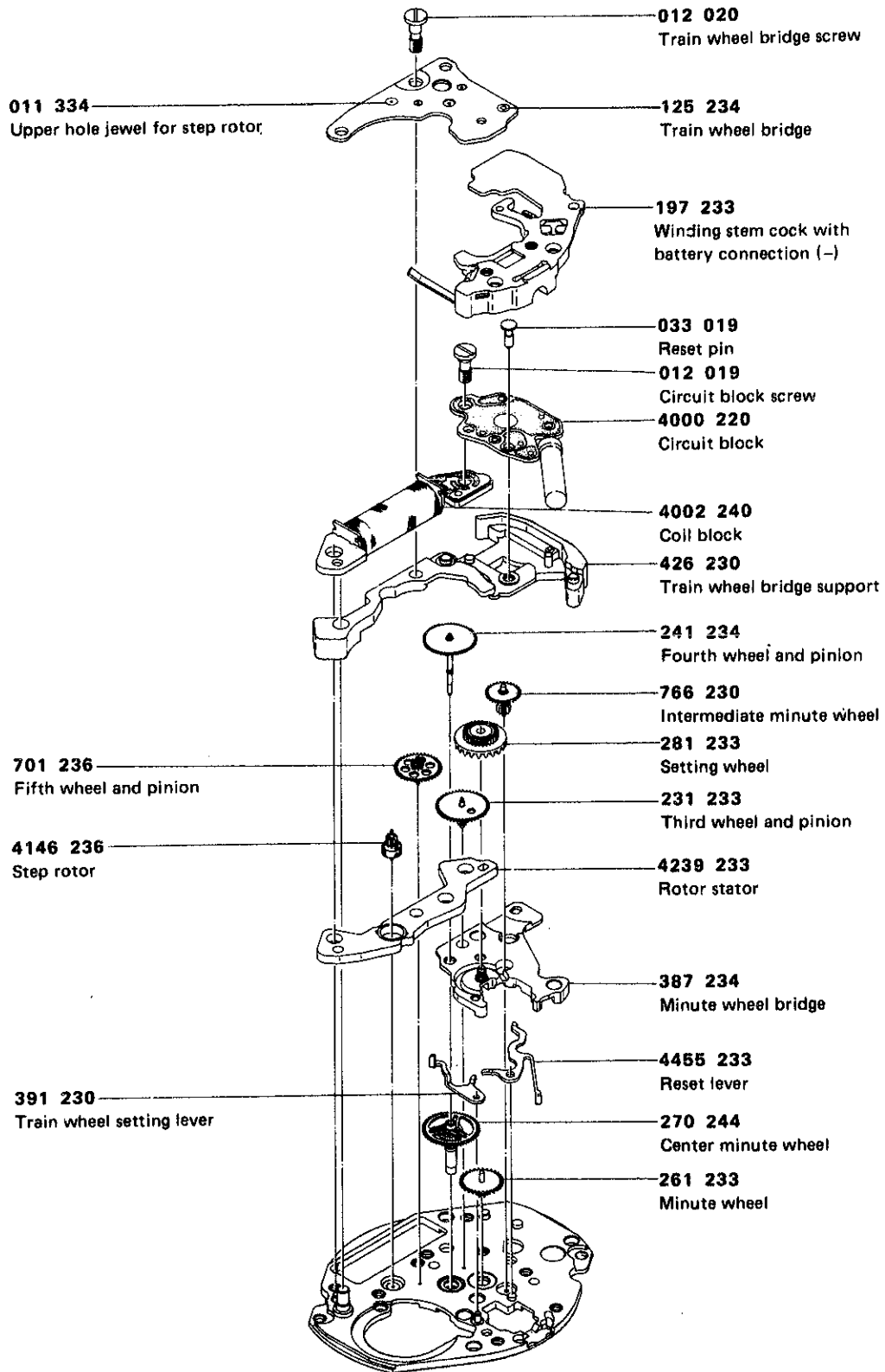
Cal.2D22A (1j)



HATTORI SEIKO CO., LTD.

Cal.2D22A





Remarks:

Winding stem

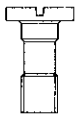
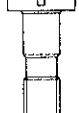
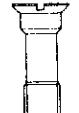

*354232 The type of winding stem is determined based on the design of cases and dials.
Check the case number and refer to "SEIKO Quartz Casing Parts Catalogue" to choose a corresponding winding stem.


Date dial

*801130 (Black figures on white background) Used when both the crown and the calendar frame are located at 3 o'clock position.
*801315 (White figures on black background)
*801131 (Black figures on white background) Used when the crown is located at 3 o'clock position and the calendar frame is at 6 o'clock position.
*801324 (White figures on black background)

Holding ring for dial

*884231 The type of a holding ring for dial is determined based on the design of cases.
If the shape of holding ring for dial is different from the photograph, check the case number and refer to "SEIKO Quartz Casing Parts Catalogue" to choose a corresponding holding ring for dial.

 012 019	Circuit block screw
 012 020	Train wheel bridge screw
 012 825	Winding stem holder screw
 012 826	Date dial guard screw

 033 019	Reset pin
---	-----------