

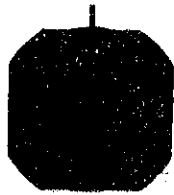
SEIKO

QUARTZ

Cal. 7439A

**PARTS
CATALOGUE**

Cal. 7439A



125 493



195 496



231 490



241 494



261 495



☆270 041



☆271 062



282 495



☆354 076



383 495



384 495



388 495



436 495



491 220



550 495



556 495



701 490



☆801 110



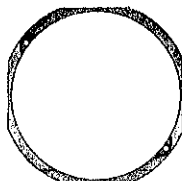
802 499



810 495



817 490



☆884 137



4001 416



4002 495



4146 496



4219 495



4219 496



4219 497



4239 495



4270 495



4271 495



4446 495



☆SEIKO TR721SW



012 170



012 196



012 197



012 354



012 469



012 778



017 549



017 634



017 635



017 636



017 637



017 638



017 639



017 640



017 641



017 972

Cal. 7439A

Characteristics

Casing diameter : ϕ 22.0 mm
 Maximum height : 2.3 mm without battery
 Jewels : 2 j
 Frequency of quartz crystal oscillator : 32,768 Hz (Hz = Hertz Cycles per second)
 Driving system : Step motor (2 poles)
 Regulation system : Trimmer condenser
 Train wheel setting
 Calendar (Date)
 Instant setting device for date calendar

PART NO.	PART NAME	PART NO.	PART NAME
125 493	Train wheel bridge	017 634	Tube for train wheel bridge (A)
195 496	Calendar plate	017 635	Tube for train wheel bridge (B)
231 490	Third wheel & pinion	017 636	Tube for coil block screw (A)
241 494	Fourth wheel & pinion	017 637	Tube for coil block screw (B)
261 495	Minute wheel	017 638	Tube for circuit block screw (A)
☆270 041	Center minute wheel & cannon pinion	017 639	Tube for circuit block screw (B)
☆270 043		017 640	Tube for setting lever spring screw
☆271 062	Hour wheel	017 641	Tube for lower end-piece screw for third wheel
☆271 063		017 972	Eccentric dial pin
282 495	Clutch wheel	☆SEIKO TR721SW	Silver (II) oxide battery
☆354 076	Winding stem		
383 495	Setting lever		
384 495	Yoke		
388 495	Setting lever spring		
436 495	Lower end piece for third wheel		
491 220	Dial washer		
550 495	Date finger washer		
556 495	Date finger		
701 490	Fifth wheel & pinion		
☆801 110	Date dial		
☆801 283			
802 499	Date driving wheel		
810 495	Date jumper		
817 490	Intermediate date wheel		
☆884 137	Holding ring for dial		
4001 416	Circuit block		
4002 495	Coil block		
4146 496	Step rotor		
4219 495	Battery connection insulator (A)		
4219 496	Battery connection insulator (B)		
4219 497	Battery connection insulator (C)		
4239 495	Rotor stator		
4270 495	Battery connection (-)		
4271 495	Battery connectino (+)		
4446 495	Crystal unit cushion		
011 541	Upper hole jewel for step rotor		
011 541	Lower hole jewel for step rotor		
012 170	Train wheel bridge screw		
012 170	Coil block screw		
012 170	Circuit block screw		
012 170	Calendar plate screw (A)		
012 196	Lower end-piece screw for third wheel		
012 197	Date finger screw		
012 354	Calendar plate screw (B)		
012 469	Case screw		
012 778	Setting lever spring screw		
017 549	Minute wheel pin		

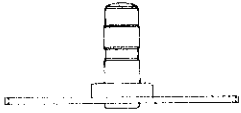



☆⇨ Please see remarks on the reverse page.
 Part numbers in light letters are not shown in photos.

Cal. 7439A

Remarks :

Center minute wheel & cannon pinion, Hour wheel

There are two different types as specified below.
Combination :

Type	Center minute wheel & cannon pinion	Hour wheel
a	 ☆270 041	 ☆271 062
b	 ☆270 043	 ☆271 063

Winding stem

☆354 076.....Refer to the photograph on the front page.

If the combination of the winding stem and case is unknown, check the case number and refer to "SEIKO Quartz Casing Parts Catalogue" to choose a corresponding winding stem.

Date dial

☆801 110 (Black figures on white background) } Used when the crown is located **3** or **4** o'clock position and the calendar frame at **3** o'clock position.
 ☆801 283 (White figures on black background) }

If any other type of date dial is required, specify ① Cal. No. ② The crown position ③ The calendar frame position and ④ Dial No.

Battery

☆SEIKO TR721SW.....The substitutive battery might be added to the applied battery in the future.

In that case, please refer to separate "BATTERY LIST FOR SEIKO QUARTZ WATCHES".
 Note that SEIKO battery is marked with "SEIZAIKEN" on its (+) side.