

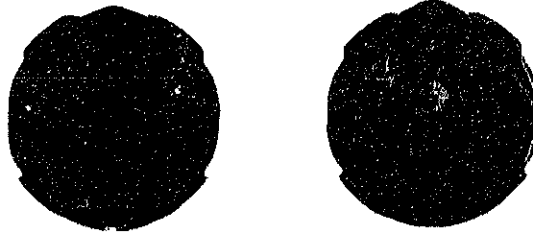
**SEIKO**

**DIGITAL QUARTZ**

**Cal. A257A**

**PARTS LIST**

# Cal. A257A



4001 237



4216 230



4216 231



4242 230



4242 231



4242 232



☆4245 230



☆4245 231



4259 012



4270 230



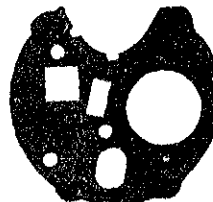
4313 230



4313 231



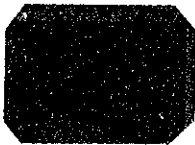
4398 092



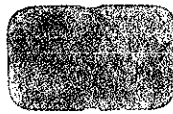
4398 106



4398 241



4510 471



4521 230



4530 230



4540 230



4540 231



4580 231



4991 231



☆Maxell SR926W



012 158



012 458



017 144



017 145



2/1

# Cal. A257A

## Characteristics

Casing diameter :  $\phi$  28.0 mm  
 Maximum height : 4.9 mm without battery  
 Frequency of quartz crystal oscillator : 32,768 Hz (Hz=Hertz . . . . Cycles per second)  
 Time display : Digital Display System showing hour, minute, second, month, date and day of the week.  
 Alarm display : Can be set to operate at any desired hour and minute.  
 Stopwatch display : Digital display system showing 20-hour, minute and second (or minute, second and 1/100 second up to 20 minute measurement) on both the upper row and the lower row at the same time by simply depressing a button.  
 Display medium : Nematic Liquid Crystal, FE-Mode  
 Time signal : It can be set to ring every hour on the hour.  
 Regulation system : Trimmer condenser  
 Illuminating light : Illuminates the display in the dark by depressing the light button.

| PART NO.       | PART NAME                                      | PART NO. | PART NAME |
|----------------|--|----------|-----------|
| 4001 237       | Circuit block                                  |          |           |
| 4216 230       | Insulator for circuit                          |          |           |
| 4216 231       | Insulator for battery                          |          |           |
| 4242 230       | Plus terminal of battery connection            |          |           |
| 4242 231       | Speaker block lead terminal (A)                |          |           |
| 4242 232       | Speaker block lead terminal (B)                |          |           |
| ☆4245 230      | Switch spring (A)                              |          |           |
| ☆4245 231      | Switch spring (B)                              |          |           |
| 4259 012       | Anti-static electricity plate                  |          |           |
| 4270 230       | Battery connection                             |          |           |
| 4313 230       | Connector (A)                                  |          |           |
| 4313 231       | Connector (B)                                  |          |           |
| 4398 092       | Liquid crystal panel frame                     |          |           |
| 4398 106       | Battery guard                                  |          |           |
| 4398 241       | Speaker block frame                            |          |           |
| 4510 471       | Liquid crystal panel                           |          |           |
| 4521 230       | Reflecting mirror                              |          |           |
| 4530 230       | Bulb   |          |           |
| 4540 230       | Liquid crystal panel holder (A)                |          |           |
| 4540 231       | Liquid crystal panel holder (B)                |          |           |
| 4580 231       | Speaker block                                  |          |           |
| 4991 231       | Speaker gasket                                 |          |           |
| 012 158        | Screw for speaker block lead terminal (B)      |          |           |
| 012 458        | Liquid crystal panel holder screw              |          |           |
| 017 144        | Tube for liquid crystal panel holder screw (A) |          |           |
| 017 145        | Tube for speaker block lead terminal           |          |           |
| ☆SEIKO TR926W  | Silver (II) oxide battery                      |          |           |
| ☆Maxell SR926W | Silver oxide battery                           |          |           |
| ☆U.C.C. 399    | Silver oxide battery                           |          |           |

☆⇒ Please see remarks on the reverse page.  
 Part numbers in light letters are not shown in photos.

# Cal. A257A

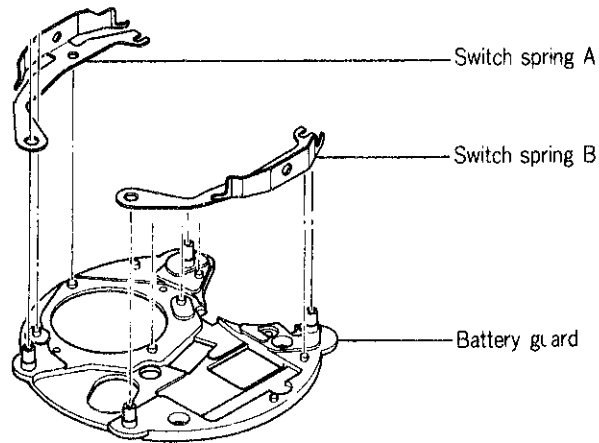
## Remarks :

### Battery

- ☆ SEIKO TR926W
  - ☆ Maxell SR926W
  - ☆ U.C.C. 399
- ..... The applied battery for this calibre might be added the substitutive in the future.  
In that case, please refer to separate "**BATTERIES FOR SEIKO QUARTZ WATCHES.**"  
Note that SEIKO battery is marked with "SEIZAIKEN" on its (+) side.

### Switch spring A, B

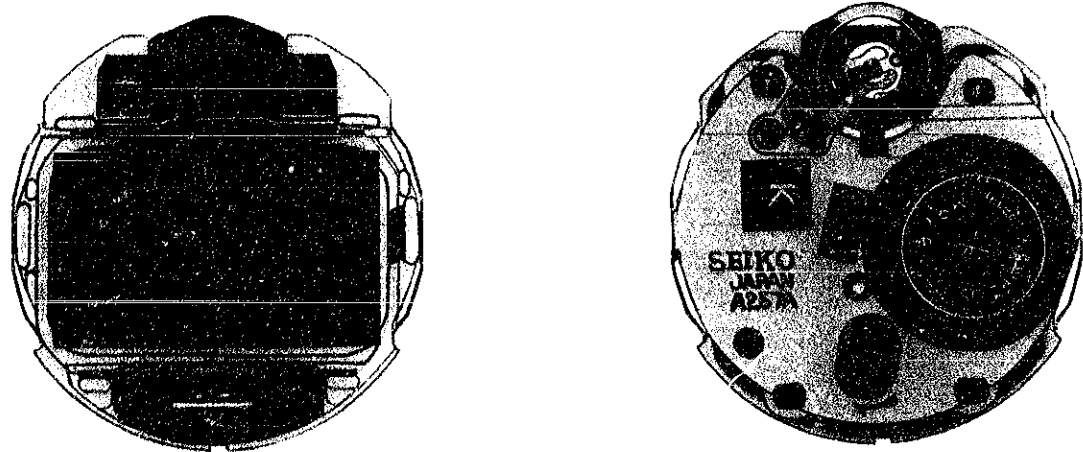
- ☆ 4245 230
  - ☆ 4245 231
- ..... The switch springs A and B are similar in shape. Be sure to make sure of them referring to the illustration below.



# TECHNICAL GUIDE

## SEIKO DIGITAL QUARTZ

CAL. A257A



---

### CONTENTS

---

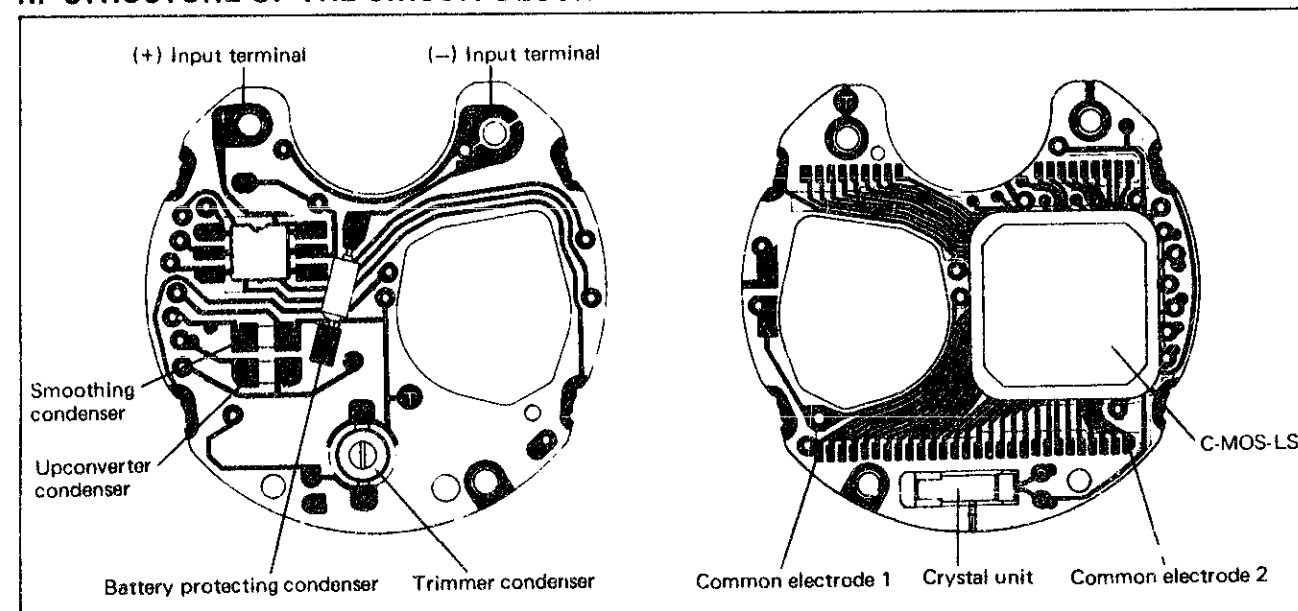
|   |   |
|---|---|
| I. SPECIFICATIONS .....                           | 1 |
| II. STRUCTURE OF THE CIRCUIT BLOCK .....          | 1 |
| III. DISPLAY FUNCTION .....                       | 2 |
| IV. DISASSEMBLING AND REASSEMBLING .....          | 2 |
| V. SEGMENT (Liquid Crystal Panel Electrode) ..... | 2 |
| VI. CHECKING AND ADJUSTMENT .....                 | 3 |

## I. SPECIFICATIONS

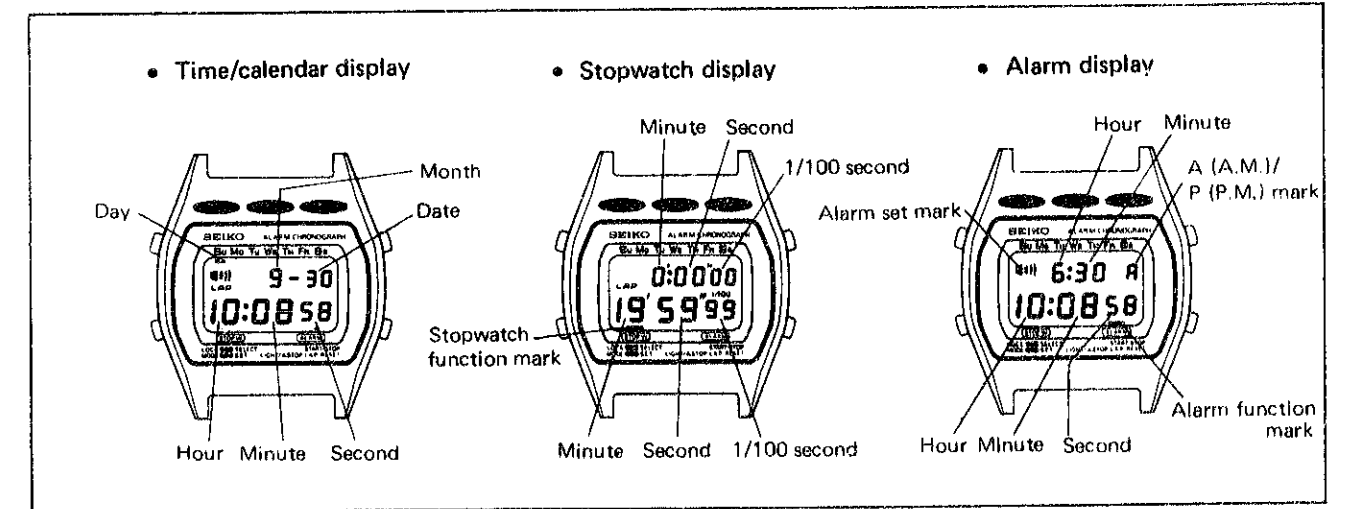
The repairing procedures of Cal. A257A are the same as those of Cal. A259A with some exceptions. In repairing this calibre, refer to the "Technical Guide of Cal. A259A".

| Item                          | Cal. No. | A257A  |
|-------------------------------|----------|--|
| Display medium                |          | Nematic Liquid Crystal, FEM (Field Effect Mode)  |
| Liquid crystal driving system |          | Multiplex driving system   |
| Display system                |          | <ul style="list-style-type: none"> <li>• Time and calendar function</li> <li>• Stopwatch function</li> <li>• Alarm function</li> </ul> |
| Additional mechanism          |          | <ul style="list-style-type: none"> <li>• Time signal</li> <li>• Alarm test system</li> <li>• Illuminating light</li> </ul>             |
| Loss/gain                     |          | Loss/gain at normal temperature range<br>Monthly rate: less than 15 seconds<br>(Annual rate: less than 3 minutes)                      |
| Casing diameter               |          | φ 28.0 mm  |
| Height                        |          | 4.9 mm without battery   |
| Regulation system             |          | Trimmer condenser  |
| Measuring gate                |          | Any gate is available.   |
| Battery                       |          | SEIKO (SEIZAIKEN) TR926W, Maxell SR926W or U.C.C. 399.<br>Battery life is approximately 2 years.<br>Voltage: 1.55V                     |

## II. STRUCTURE OF THE CIRCUIT BLOCK



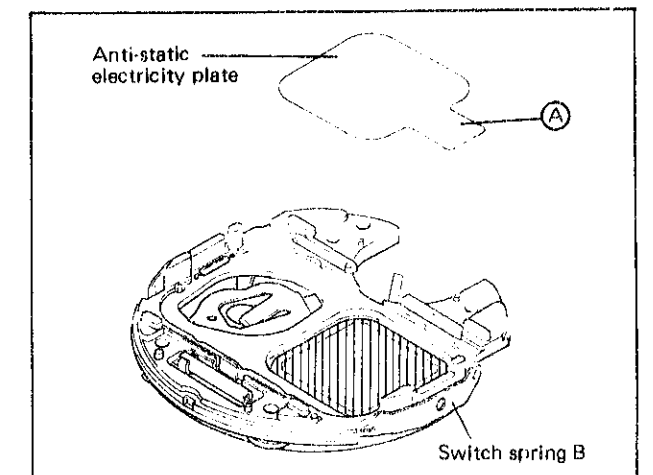
## III. DISPLAY FUNCTION



## IV. DISASSEMBLING AND REASSEMBLING

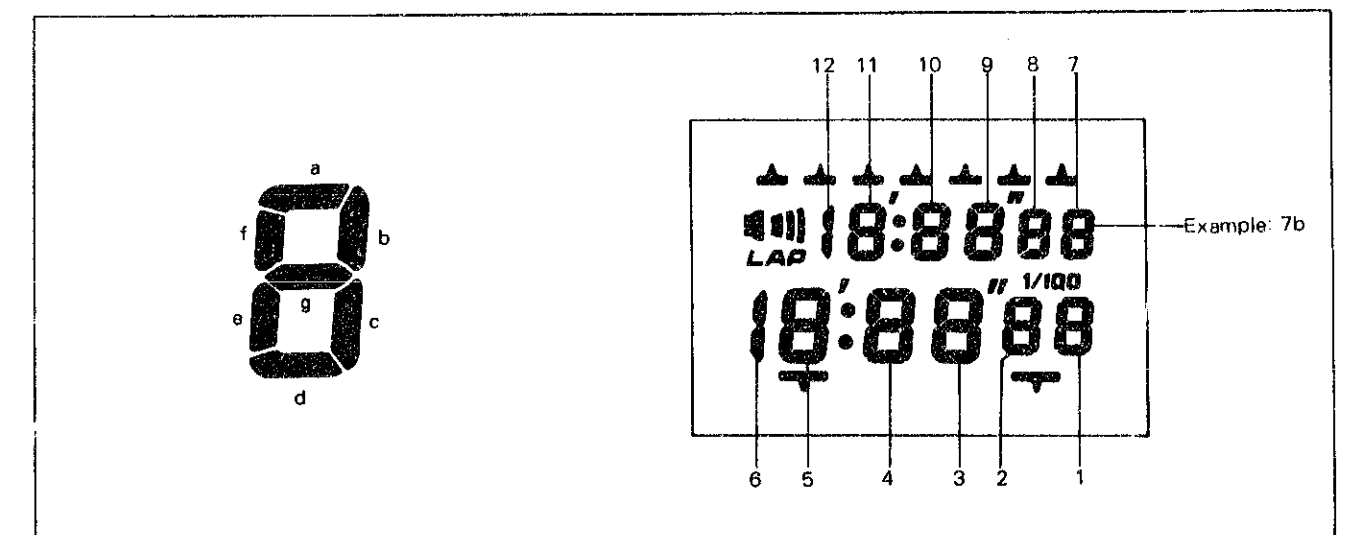
- As for the disassembling and reassembling procedures, refer to the "Technical Guide of Cal. A259A".
- Difference of the disassembling and reassembling procedures between Cal. A257A and Cal. A259A are as follows.


- Anti-static electricity plate  
Reassemble the anti-static electricity plate on the IC portion (shaded portion of the illustration on the right) of the circuit block, and then reassemble the reflecting mirror and the liquid crystal panel on the anti-static electricity plate. After fixing the liquid crystal panel holder with screws, bend the (A) portion of the anti-static electricity toward the switch spring B.
- There will be no trouble if the (A) portion of the static electricity plate touches the switch spring B.



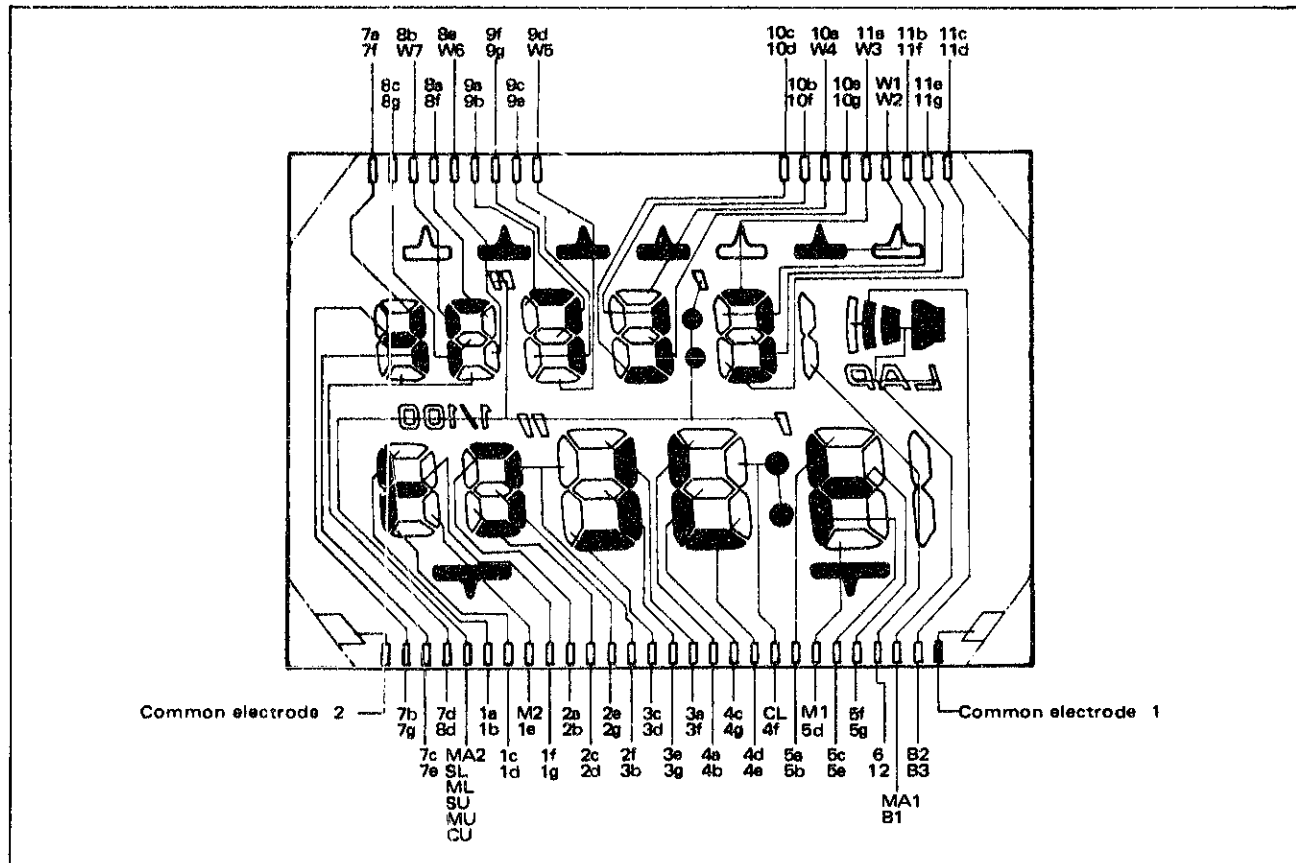
## V. SEGMENT (Liquid Crystal Panel Electrode)

- Designation of segment



Common electrode 1 (electrically connected with  segments)

Common electrode 2 (electrically connected with  segments)



## VI. CHECKING AND ADJUSTMENT

As for the checking and adjustment procedures, refer to the "Technical Guide of Cal. A259A".

Difference of the checking and adjustment procedures between Cal. A257A and Cal. A259A is as follows:

### CHECK CURRENT CONSUMPTION

- When the Volt-ohm-meter is used.  
Probe Red (+): Battery connection (-)  
Probe Black (-): Battery surface (-)

#### Result:

Less than  $3\mu\text{A}$ : Normal  
More than  $3\mu\text{A}$ : Defective  
\* Replace the liquid crystal panel or the circuit block.

- \* How to check if the liquid crystal panel or the circuit block is defective when the current consumption is more than  $3\mu\text{A}$ .

- Disassemble the liquid crystal panel from the module, and measure the current consumption (with the liquid crystal panel holder screwed down).

Less than  $2.5\mu\text{A}$  — Circuit block: Normal  
Replace the liquid crystal panel.

More than  $2.5\mu\text{A}$  — Circuit block: Defective  
Replace the circuit block.

- When checking the current consumption with the module alone, be sure to check with the speaker block disassembled from the module and the speaker lead terminal and the speaker fixing spring reassembled in the module.