

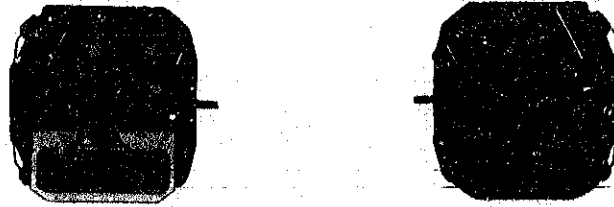
SEIKO

QUARTZ

Cal. H448A

**PARTS
CATALOGUE**

Cal. H448A



121 307



125 309



231 307



241 311



261 307



☆270 310



☆271 307



☆351 307



353 307



391 307



701 307



735 307



766 307



4001 309



4002 307



4146 307



4219 307



4219 308



4225 307



4238 307



4239 307



4245 307



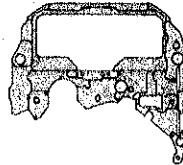
4270 307



4282 307



4313 307



4398 307



☆4408 308



☆4446 307



4450 307



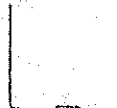
4455 307



☆4510 141



4521 307



4530 230



☆SEIKO TR926W

012 188	012 189	017 611	017 612	017 613	017 614
017 615	017 616	017 617	017 618	017 619	017 620

3/4

Cal. H448A

Characteristics

Casing diameter : 24.3 × 23.0 mm
 Maximum height : 2.7 mm without battery
 Jewels : 2 j
 Frequency of quartz crystal oscillator : 32,768 Hz (Hz=Hertz Cycles per second)
 Analogue indication : Two hand time indication (Hour and minute)
 Digital time and calendar display : Hour (12-hour or 24-hour indication), minute, second, date, "A.M."/"P.M." mark (displayed only in the 12-hr indication), and day of the week.
 (The month is displayed only when the calendar is adjusted.)
 Alarm display : Can be set to operate at any desired hour and minute.
 Time signal : Can be set to ring every hour on the hour.
 Stopwatch display : Digital display system showing 10-hour, minute, second and 1/100 second.
 Train wheel setting
 Driving system : Step motor (2 poles)
 Regulation system : Trimmer condenser
 Display medium : Nematic Liquid crystal, FE-Mode.
 Battery life indicator : All the digits in the display begin flashing.
 Illuminating light : Illuminates the display by depressing the light button.

PART NO.	PART NAME	PART NO.	PART NAME
121 307	Center wheel bridge	017 615	Tube for circuit block screw (B)
125 309	Train wheel bridge	017 616	Tube for circuit block screw (C)
231 307	Third wheel & pinion	017 617	Tube for circuit block screw (D)
241 311	Fourth wheel & pinion	017 618	Tube for circuit block screw (E)
261 307	Minute wheel	017 619	Tube for coil block screw
☆270 310 }	Center minute wheel & cannon pinion	017 620	Tube for center wheel & pinion
☆270 311		☆SEIKO TR926W	Silver (II) oxide battery
☆270 312		☆Maxell SR926W	Silver oxide battery
☆271 307 }	☆U.C.C. 399 }		
☆271 308 }	Hour wheel		
☆351 307	Winding stem		
353 307	Reset lever spring		
391 307	Train wheel setting lever		
701 307	Fifth wheel & pinion		
735 307	Winding stem holder		
766 307	Intermediate minute wheel		
4001 309	Circuit block		
4002 307	Coil block		
4146 307	Step rotor		
4219 307	Battery connection insulator (A)		
4219 308	Battery connection insulator (B)		
4225 307	Battery clamp		
4238 307	Switch lever spring		
4239 307	Rotor stator		
4245 307	Switch spring		
4270 307	Battery connection (-)		
4282 307	Contact point lever		
4313 307	Connector		
4398 307	Liquid crystal panel frame		
☆4408 308	Insulating spacer for circuit block		
☆4446 307	Crystal unit cushion		
4450 307	Switch lever		
4455 307	Reset lever		
☆4510 141	Liquid crystal panel (Silver)		
☆4510 142	Liquid crystal panel (Gold)		
4521 307	Reflecting mirror		
4530 230	Bulb		
011 542	Upper hole jewel for step rotor		
011 542	Lower hole jewel for step rotor		
012 188	Center wheel bridge screw		
012 189	Train wheel beidge screw		
012 189	Circuit block screw		
012 189	Coil block screw		
017 611	Tube for train wheel bridge (A)		
017 612	Tube for train wheel bridge (B)		
017 613	Tube for train wheel bridge (C)		
017 614	Tube for circuit block screw (A)		

☆☐ Please see remarks on the reverse page.
 Part numbers in light letters are not shown in photos.




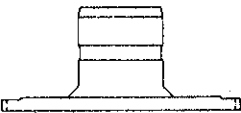

Cal. H448A

Remarks :

Center minute wheel & cannon pinion, Hour wheel

There are three different types as specified below.

Combination :

Type	Center minute wheel & cannon pinion	Hour wheel
a	 ☆270 310	 ☆271 307
*b	 ☆270 311	 ☆271 308
c	 ☆270 312	

* As of this printing of type b combination is not used. However it may be employed in the future with certain case designs.

Winding stem

☆351 307.....Refer to the photograph on the front page.

If the combination of the winding stem and case is unknown, check the case number and refer to "SEIKO Quartz Casing Parts Catalogue" to choose a corresponding winding stem.

Insulating spacer for circuit block

☆4408 308.....Some models are not provided with the insulating spacer for circuit block.

Crystal unit cushion

☆4446 307.....The crystal unit cushion designated by the same parts number may have different shapes, but they are interchangeable.

Liquid crystal panel

☆4510 141 } Be sure that combination between the color of panel cover and Liquid crystal panel
 ☆4510 142 } should be matched according to the "SEIKO Quartz Casing Parts Catalogue".

Battery

☆SEIKO TR926W } The substitutive battery might be added to the applied battery in the future.
 ☆Maxell SR926W } In that case, please refer to separate "BATTERY LIST FOR SEIKO QUARTZ
 ☆U.C.C. 399 } WATCHES".